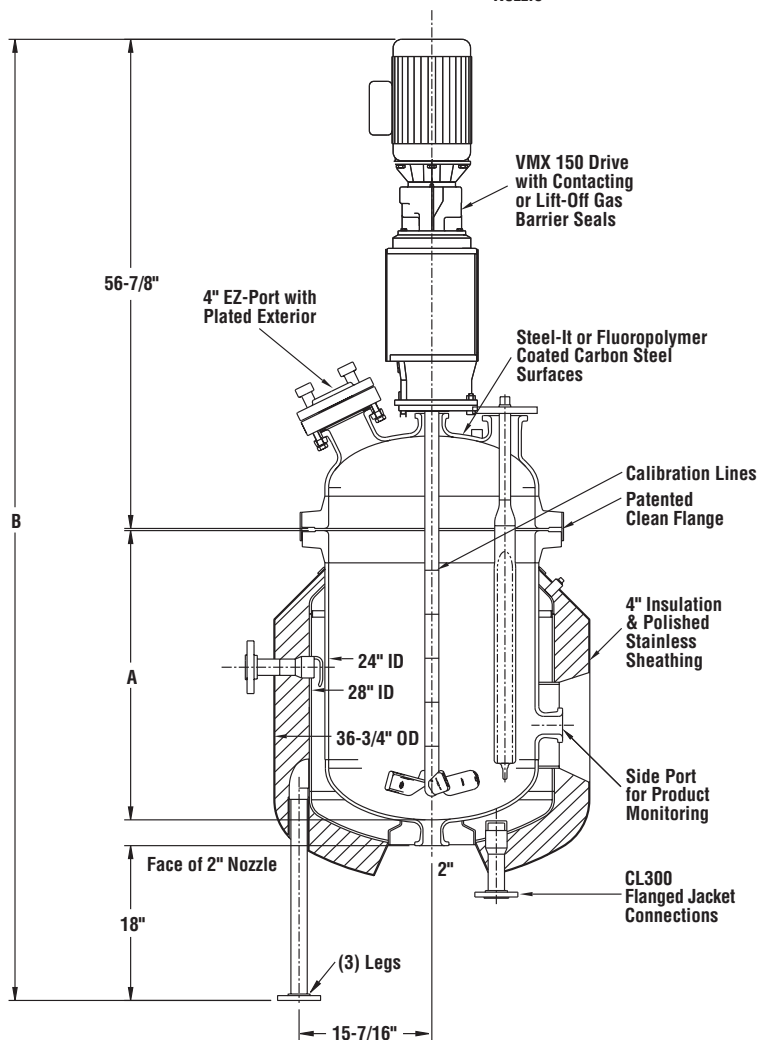
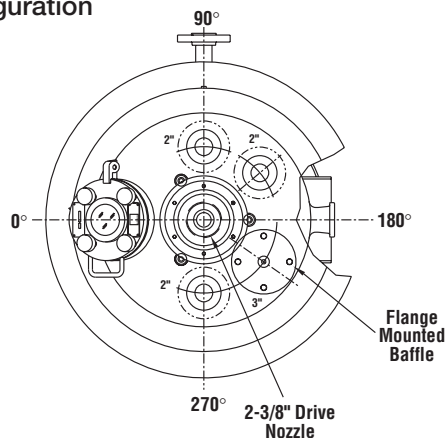




RP-24 Series Pharma Reactors

Data Sheet DS81-805A-1

Optional Nozzle Configuration



Specifications:

Capacity (Gallons)	50
A	33-5/8"
B	111-3/4"

Features:

- Cryogenic capability
- Dished or flat top head
- Dished or conical bottom head
- Corrosion resistant, low maintenance exterior
- Available product sampling
- Available on-line infrared product monitoring
- Available CIP design and testing
- Available validation qualification documents
- ProSol® mixing systems including Pfaudler's scalable impellers and concave baffles



1000 West Avenue
 PO Box 23600
 Rochester, NY 14692-3600
 Phone: 585 235 1000
 Fax: 585 235 6393
 www.pfaudler.com



GlaSteel® Parts and Services
 A Unit of Pfaudler, Inc.

1999 Mt. Read Blvd.
 PO Box 20857
 Rochester, NY 14602
 Phone: 585 235 1010
 Fax: 585 235 7923

The data and commentary presented herein are based on test information and field experience by Pfaudler, Inc. They are believed to be reliable, but do not express or imply warranty or performance guarantee. Since process conditions vary widely, Pfaudler, Inc. and GlaSteel® Parts and Services expressly disclaim in connection with the information contained herein any warranty, express, implied or statutory, including the warranty of fitness for a particular purpose and merchantability.

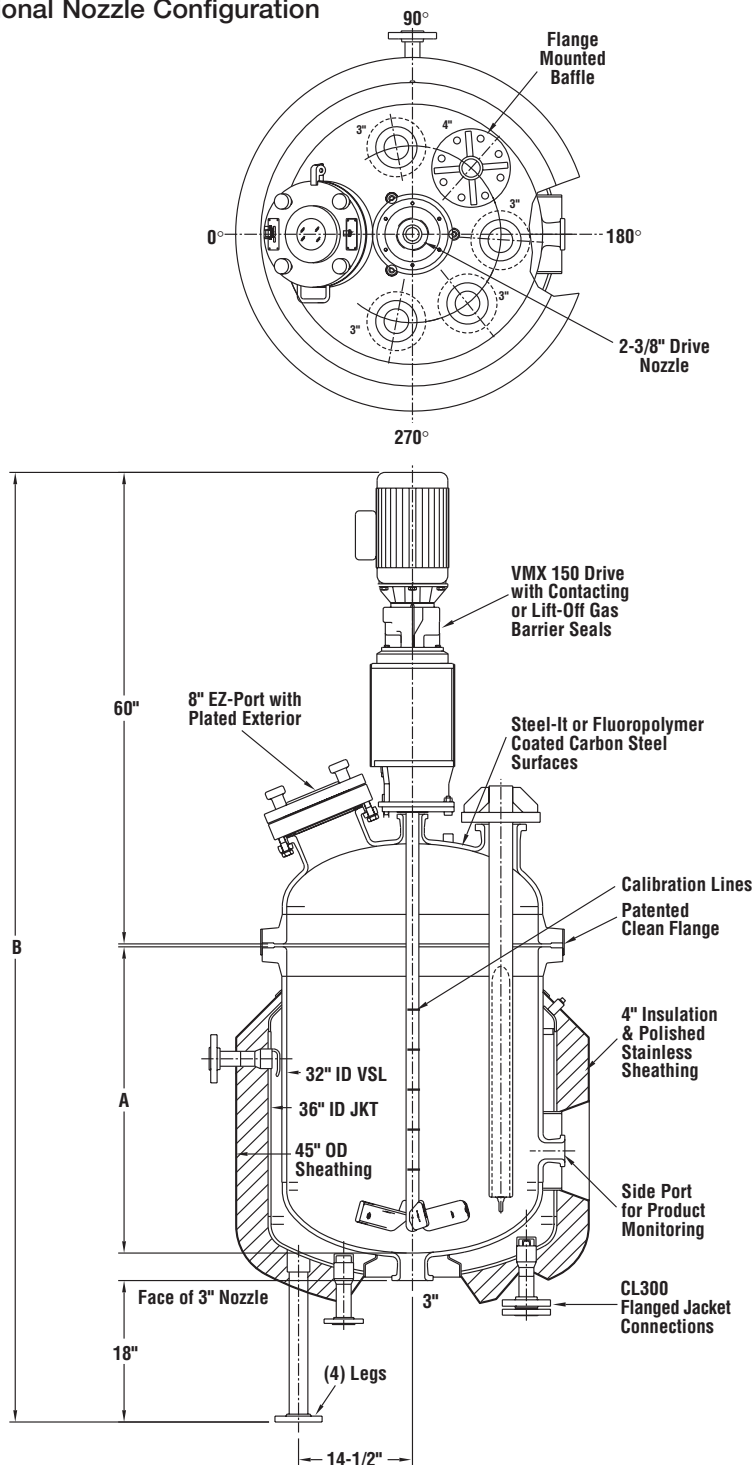
Copyright©
 Pfaudler, Inc. 2003
 A Unit of Robbins & Myers, Inc.
 All rights reserved.
 GlaSteel® is a registered trademark of Pfaudler, Inc.



RP-32 Series Pharma Reactors

Data Sheet DS81-805B-1

Optional Nozzle Configuration



Specifications:

Capacity (Gallons)	100
A	39"
B	120-7/8"

Features:

- Cryogenic capability
- Dished or flat top head
- Dished or conical bottom head
- Corrosion resistant, low maintenance exterior
- Available product sampling
- Available on-line infrared product monitoring
- Available CIP design and testing
- Available validation qualification documents
- ProSo® mixing systems including Pfaudler's scalable impellers and concave baffles



1000 West Avenue
 PO Box 23600
 Rochester, NY 14692-3600
 Phone: 585 235 1000
 Fax: 585 235 6393
 www.pfaudler.com



Glassteel® Parts and Services
 A Unit of Pfaudler, Inc.

1999 Mt. Read Blvd.
 PO Box 20857
 Rochester, NY 14602
 Phone: 585 235 1010
 Fax: 585 235 7923

The data and commentary presented herein are based on test information and field experience by Pfaudler, Inc. They are believed to be reliable, but do not express or imply warranty or performance guarantee. Since process conditions vary widely, Pfaudler, Inc. and Glassteel® Parts and Services expressly disclaim in connection with the information contained herein any warranty, express, implied or statutory, including the warranty of fitness for a particular purpose and merchantability.

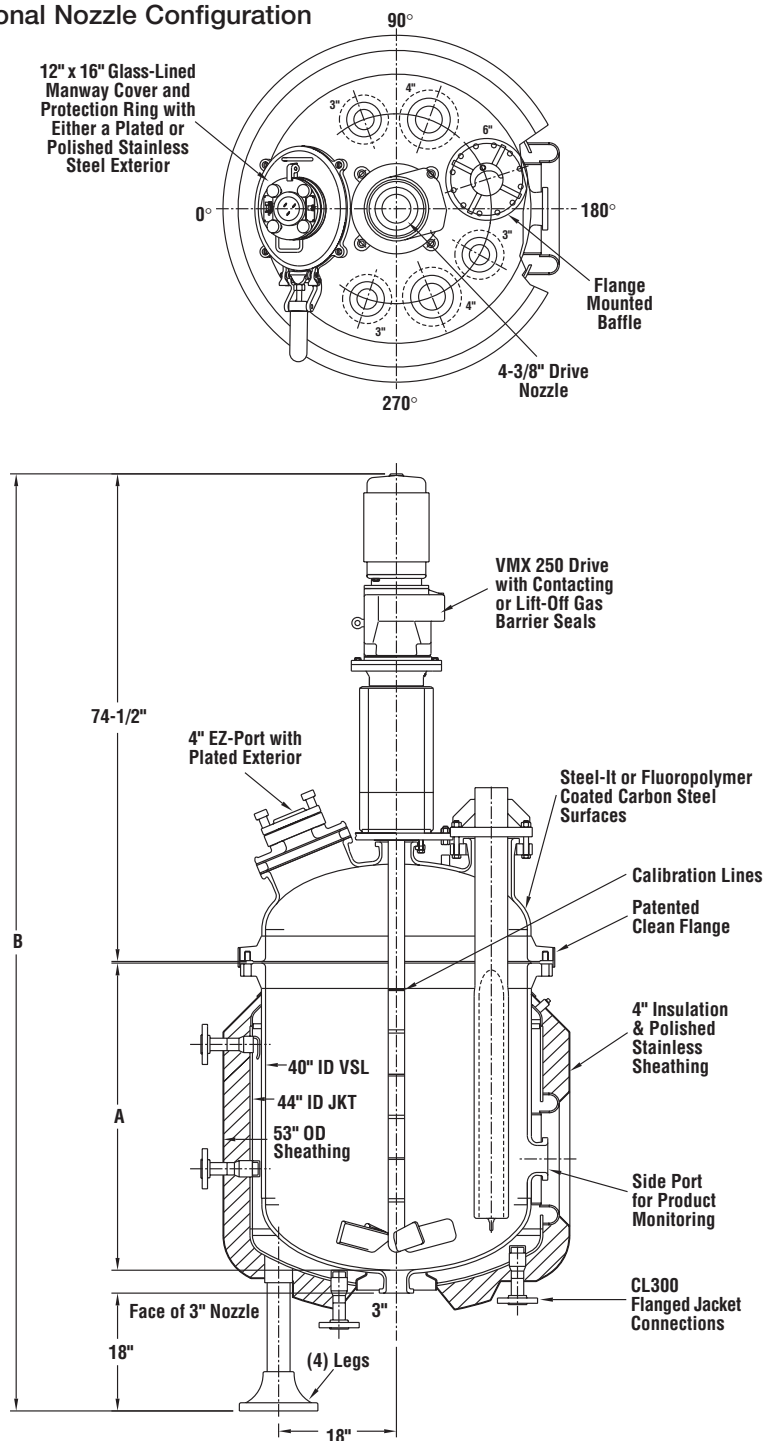
Copyright©
 Pfaudler, Inc. 2003
 A Unit of Robbins & Myers, Inc.
 All rights reserved.
 Glassteel® is a registered trademark of Pfaudler, Inc.



RP-40 Series Pharma Reactors

Data Sheet DS81-805C-1

Optional Nozzle Configuration



Specifications:

Capacity (Gallons)	200
A	46-7/8"
B	143-1/8"

Features:

- Cryogenic capability
- Dished or flat top head
- Dished or conical bottom head
- Corrosion resistant, low maintenance exterior
- Available product sampling
- Available on-line infrared product monitoring
- Available CIP design and testing
- Available validation qualification documents
- ProSol® mixing systems including Pfaudler's scalable impellers and concave baffles



1000 West Avenue
 PO Box 23600
 Rochester, NY 14692-3600
 Phone: 585 235 1000
 Fax: 585 235 6393
 www.pfaudler.com



GlaSteel® Parts and Services
 A Unit of Pfaudler, Inc.

1999 Mt. Read Blvd.
 PO Box 20857
 Rochester, NY 14602
 Phone: 585 235 1010
 Fax: 585 235 7923

The data and commentary presented herein are based on test information and field experience by Pfaudler, Inc. They are believed to be reliable, but do not express or imply warranty or performance guarantee. Since process conditions vary widely, Pfaudler, Inc. and GlaSteel® Parts and Services expressly disclaim in connection with the information contained herein any warranty, express, implied or statutory, including the warranty of fitness for a particular purpose and merchantability.

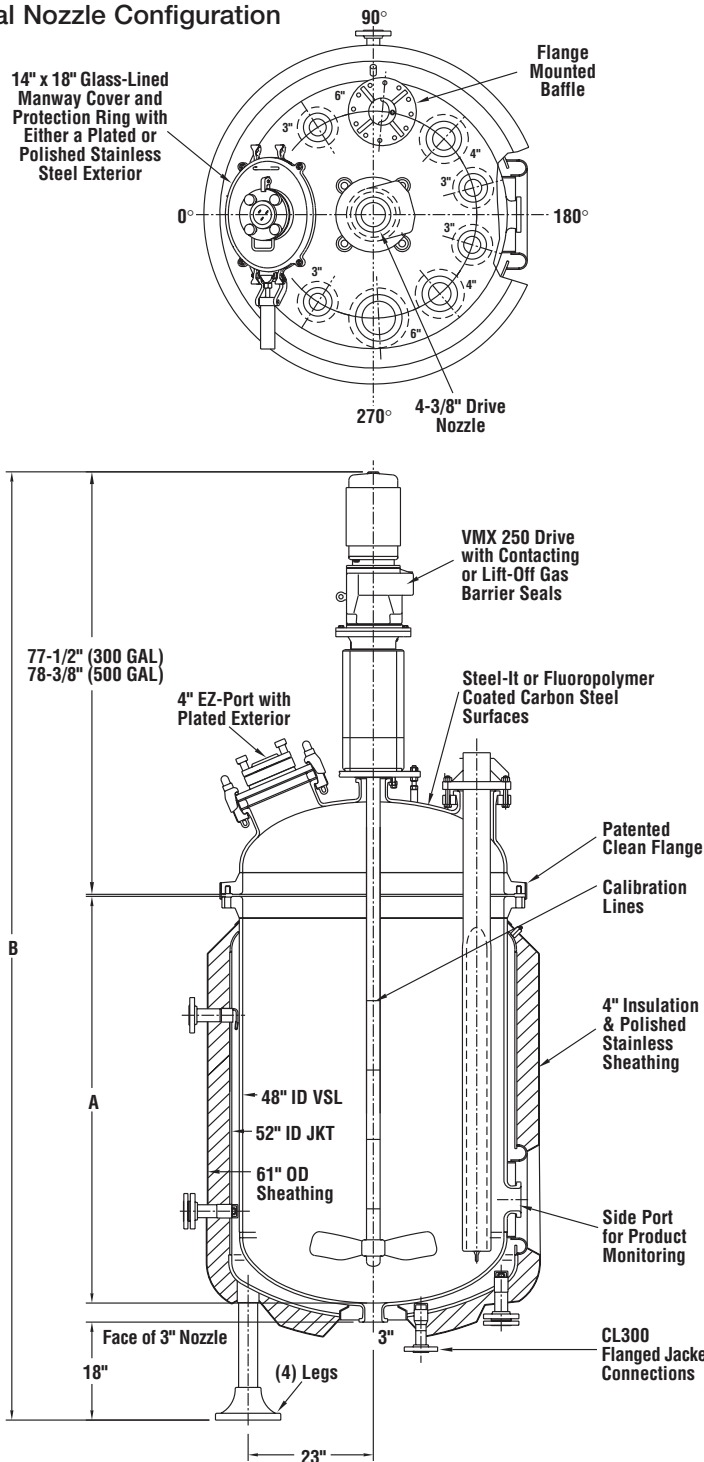
Copyright©
 Pfaudler, Inc. 2003
 A Unit of Robbins & Myers, Inc.
 All rights reserved.
 GlaSteel® is a registered trademark of Pfaudler, Inc.



RP-48 Series Pharma Reactors

Data Sheet DS81-805D-1

Optional Nozzle Configuration



Specifications:

Capacity (Gallons)	300	500
A	49-1/4"	74-3/4"
B	148-5/8"	175"

Features:

- Cryogenic capability
- Dished or conical bottom head
- Corrosion resistant, low maintenance exterior
- Available product sampling
- Available on-line infrared product monitoring
- Available CIP design and testing
- Available validation qualification documents
- ProSol® mixing systems including Pfaudler's family of patented Cryo-Lock® impellers and concave baffles



1000 West Avenue
 PO Box 23600
 Rochester, NY 14692-3600
 Phone: 585 235 1000
 Fax: 585 235 6393
 www.pfaudler.com



Glaesteel® Parts and Services
 A Unit of Pfaudler, Inc.

1999 Mt. Read Blvd.
 PO Box 20857
 Rochester, NY 14602
 Phone: 585 235 1010
 Fax: 585 235 7923

The data and commentary presented herein are based on test information and field experience by Pfaudler, Inc. They are believed to be reliable, but do not express or imply warranty or performance guarantee. Since process conditions vary widely, Pfaudler, Inc. and Glaesteel® Parts and Services expressly disclaim in connection with the information contained herein any warranty, express, implied or statutory, including the warranty of fitness for a particular purpose and merchantability.

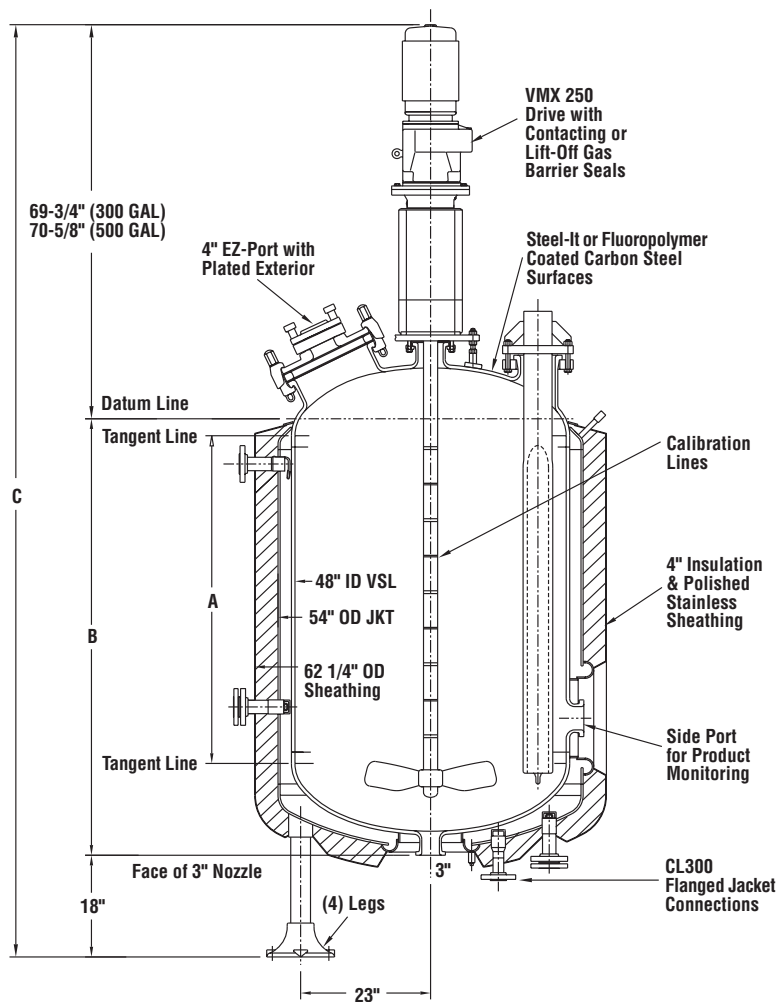
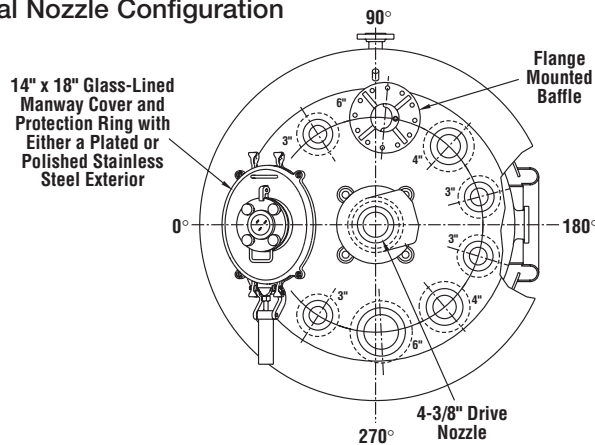
Copyright©
 Pfaudler, Inc. 2003
 A Unit of Robbins & Myers, Inc.
 All rights reserved.
 Glaesteel® and Cryo-Lock® are registered trademarks of Pfaudler, Inc.



RP-48 Series Pharma Reactors

Data Sheet DS81-805E-1

Optional Nozzle Configuration



Specifications:

Capacity (Gallons)	300	500
A	33"	58"
B	52-1/4"	77-1/4"
C	140"	165-7/8"

Features:

- Cryogenic capability
- Dished or conical bottom head
- Corrosion resistant, low maintenance exterior
- Available product sampling
- Available on-line infrared product monitoring
- Available CIP design and testing
- Available validation qualification documents
- ProSol® mixing systems including Pfaudler's family of patented Cryo-Lock® impellers and concave baffles



1000 West Avenue
 PO Box 23600
 Rochester, NY 14692-3600
 Phone: 585 235 1000
 Fax: 585 235 6393
 www.pfaudler.com



GlaSteel® Parts and Services
 A Unit of Pfaudler, Inc.

1999 Mt. Read Blvd.
 PO Box 20857
 Rochester, NY 14602
 Phone: 585 235 1010
 Fax: 585 235 7923

The data and commentary presented herein are based on test information and field experience by Pfaudler, Inc. They are believed to be reliable, but do not express or imply warranty or performance guarantee. Since process conditions vary widely, Pfaudler, Inc. and GlaSteel® Parts and Services expressly disclaim in connection with the information contained herein any warranty, express, implied or statutory, including the warranty of fitness for a particular purpose and merchantability.

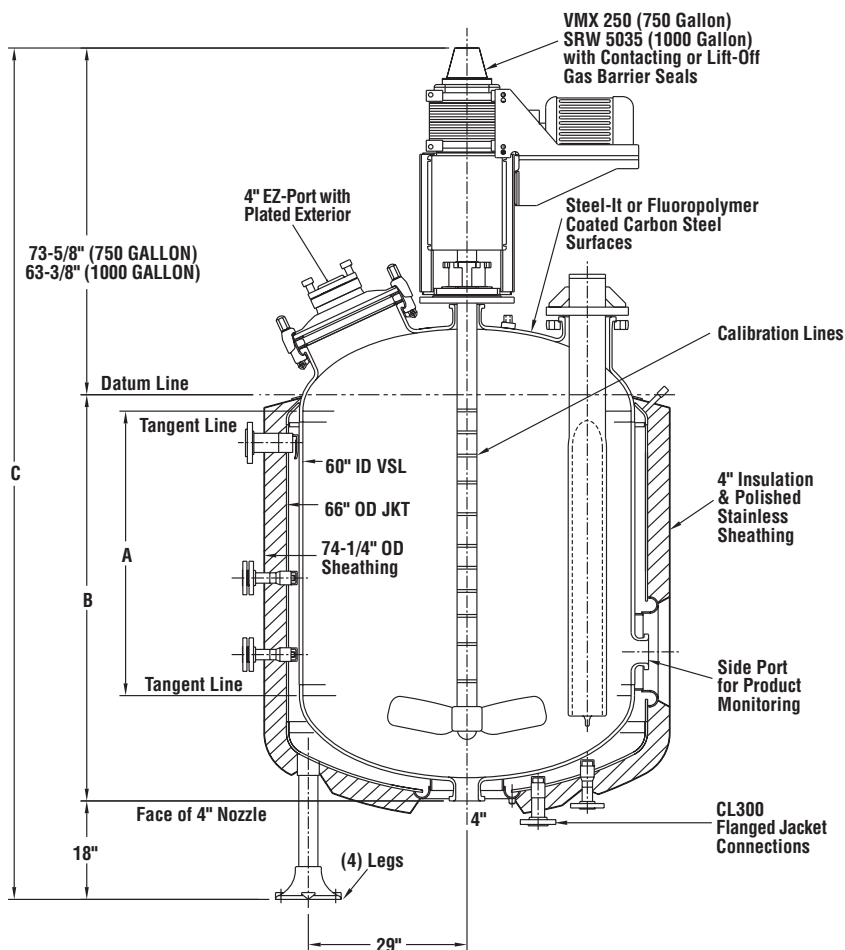
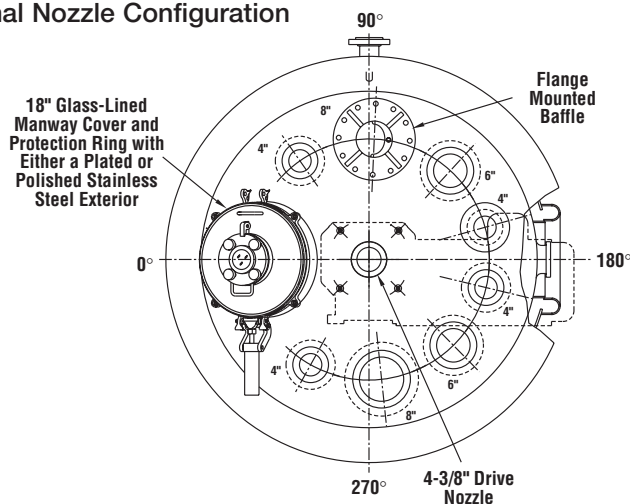
Copyright©
 Pfaudler, Inc. 2003
 A Unit of Robbins & Myers, Inc.
 All rights reserved.
 GlaSteel® and Cryo-Lock® are registered trademarks of Pfaudler, Inc.



RP-60 Series Pharma Reactors

Data Sheet DS81-805F-1

Optional Nozzle Configuration



Specifications:

Capacity (Gallons)	750	1000
A	52"	72"
B	74-1/4"	94-1/4"
C	165-7/8"	175-5/8"

Features:

- Cryogenic capability
- Dished or conical bottom head
- Corrosion resistant, low maintenance exterior
- Available product sampling
- Available on-line infrared product monitoring
- Available CIP design and testing
- Available validation qualification documents
- ProSol® mixing systems including Pfaudler's family of patented Cryo-Lock® impellers and concave baffles



1000 West Avenue
 PO Box 23600
 Rochester, NY 14692-3600
 Phone: 585 235 1000
 Fax: 585 235 6393
 www.pfaudler.com



GlaSteel® Parts and Services
 A Unit of Pfaudler, Inc.

1999 Mt. Read Blvd.
 PO Box 20857
 Rochester, NY 14602
 Phone: 585 235 1010
 Fax: 585 235 7923

The data and commentary presented herein are based on test information and field experience by Pfaudler, Inc. They are believed to be reliable, but do not express or imply warranty or performance guarantee. Since process conditions vary widely, Pfaudler, Inc. and GlaSteel® Parts and Services expressly disclaim in connection with the information contained herein any warranty, express, implied or statutory, including the warranty of fitness for a particular purpose and merchantability.

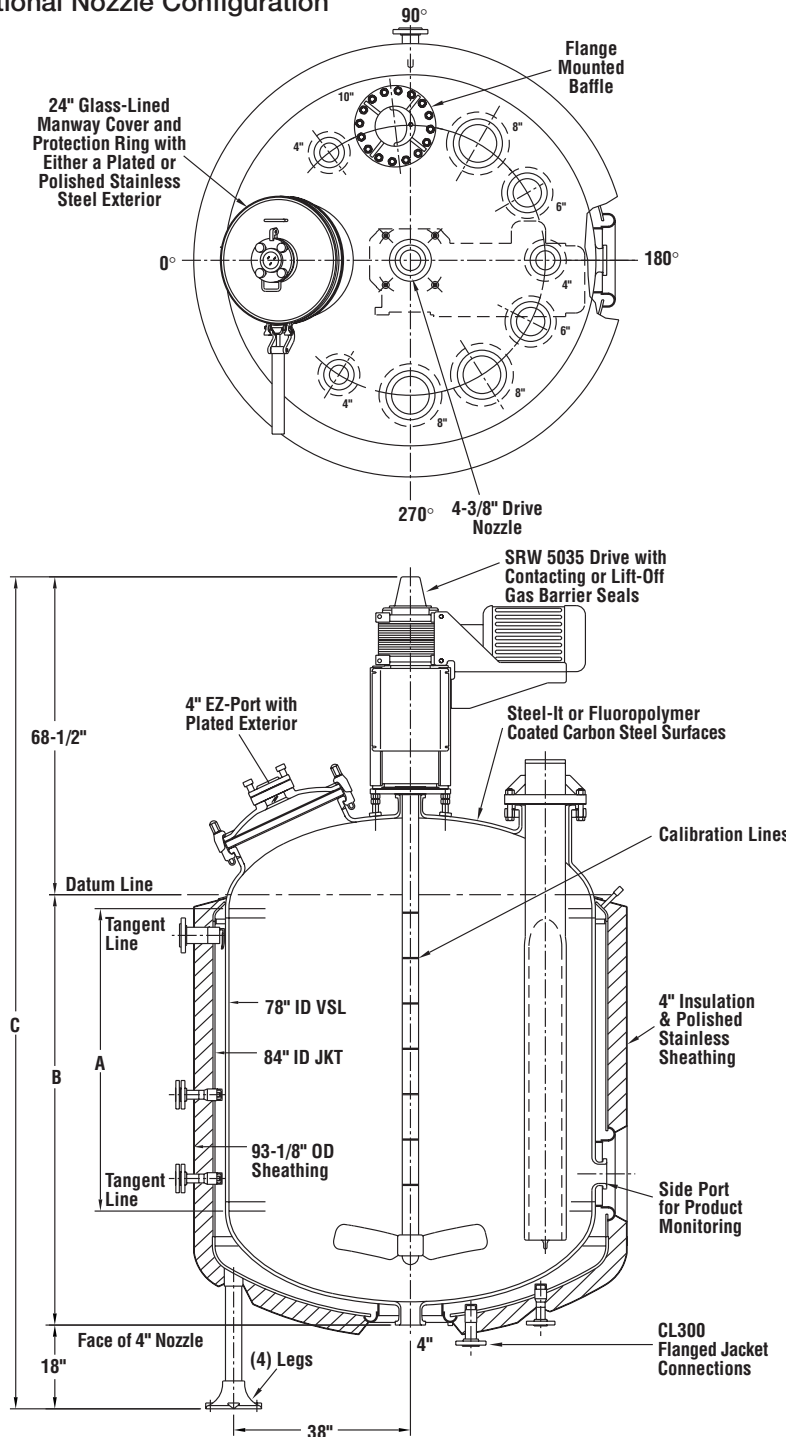
Copyright©
 Pfaudler, Inc. 2003
 A Unit of Robbins & Myers, Inc.
 All rights reserved.
 GlaSteel® and Cryo-Lock® are registered trademarks of Pfaudler, Inc.



RP-78 Series Pharma Reactors

Data Sheet DS81-805G-1

Optional Nozzle Configuration



Specifications:

Capacity (Gallons)	1500	2000
A	65"	84"
B	92-1/2"	111-1/2"
C	179"	198"

Features:

- Cryogenic capability
- Dished or conical bottom head
- Corrosion resistant, low maintenance exterior
- Available product sampling
- Available on-line infrared product monitoring
- Available CIP design and testing
- Available validation qualification documents
- ProSol® mixing systems including Pfaudler's family of patented Cryo-Lock® impellers and concave baffles



1000 West Avenue
 PO Box 23600
 Rochester, NY 14692-3600
 Phone: 585 235 1000
 Fax: 585 235 6393
 www.pfaudler.com



Glaesteel® Parts and Services
 A Unit of Pfaudler, Inc.

1999 Mt. Read Blvd.
 PO Box 20857
 Rochester, NY 14602
 Phone: 585 235 1010
 Fax: 585 235 7923

The data and commentary presented herein are based on test information and field experience by Pfaudler, Inc. They are believed to be reliable, but do not express or imply warranty or performance guarantee. Since process conditions vary widely, Pfaudler, Inc. and Glaesteel® Parts and Services expressly disclaim in connection with the information contained herein any warranty, express, implied or statutory, including the warranty of fitness for a particular purpose and merchantability.

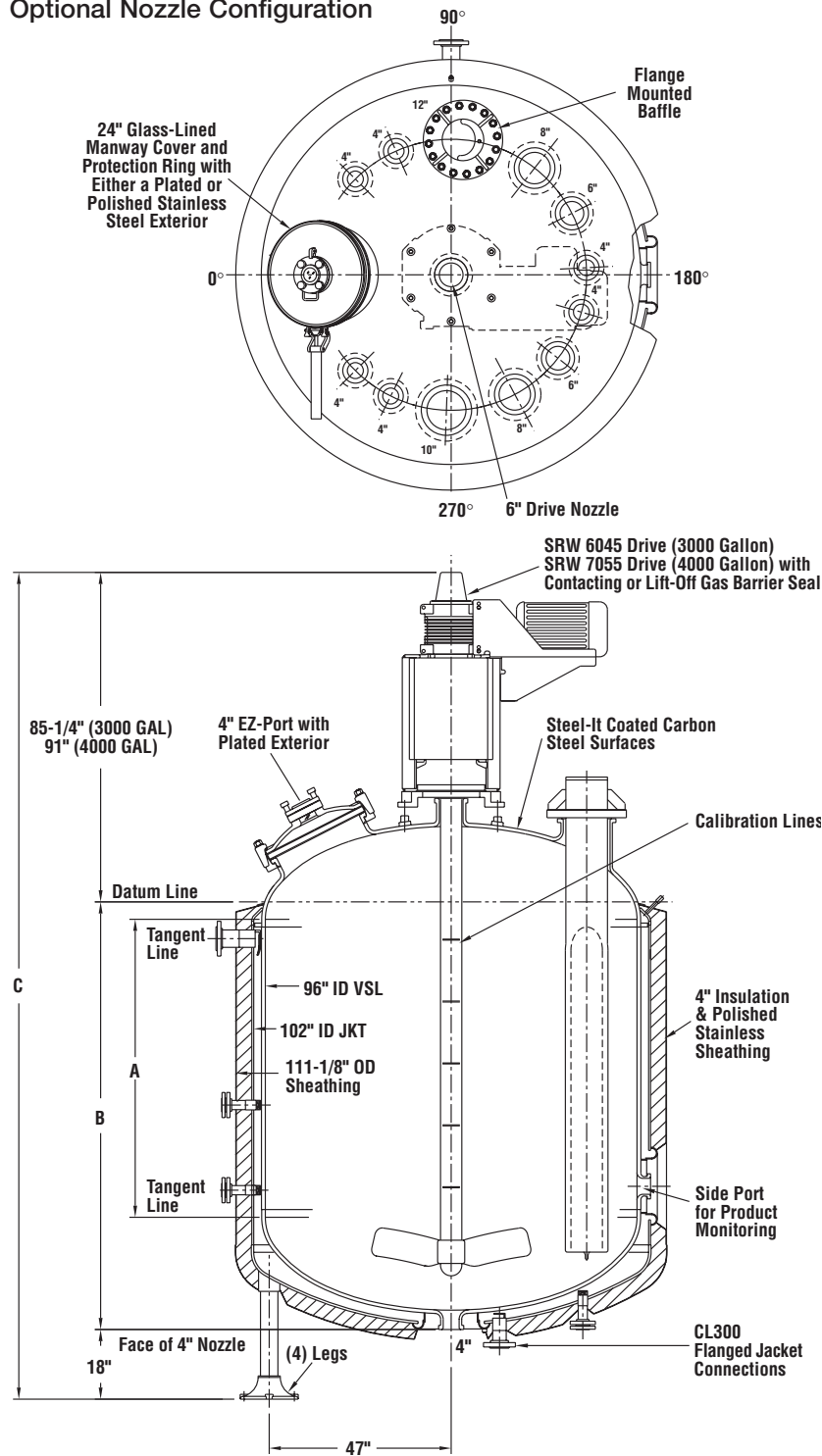
Copyright©
 Pfaudler, Inc. 2003
 A Unit of Robbins & Myers, Inc.
 All rights reserved.
 Glaesteel® and Cryo-Lock® are registered trademarks of Pfaudler, Inc.



RP-96 Series Pharma Reactors

Data Sheet DS81-805H-1

Optional Nozzle Configuration



Specifications:

Capacity (Gallons)	3000	4000
A	77"	109"
B	110-1/2"	142-1/2"
C	213-3/4"	251-1/2"

Features:

- Cryogenic capability
- Dished or conical bottom head
- Corrosion resistant, low maintenance exterior
- Available product sampling
- Available on-line infrared product monitoring
- Available CIP design and testing
- Available validation qualification documents
- ProSol® mixing systems including Pfaudler's family of patented Cryo-Lock® impellers and concave baffles



1000 West Avenue
 PO Box 23600
 Rochester, NY 14692-3600
 Phone: 585 235 1000
 Fax: 585 235 6393
 www.pfaudler.com



Glaesteel® Parts and Services
 A Unit of Pfaudler, Inc.

1999 Mt. Read Blvd.
 PO Box 20857
 Rochester, NY 14602
 Phone: 585 235 1010
 Fax: 585 235 7923

The data and commentary presented herein are based on test information and field experience by Pfaudler, Inc. They are believed to be reliable, but do not express or imply warranty or performance guarantee. Since process conditions vary widely, Pfaudler, Inc. and Glaesteel® Parts and Services expressly disclaim in connection with the information contained herein any warranty, express, implied or statutory, including the warranty of fitness for a particular purpose and merchantability.

Copyright©
 Pfaudler, Inc. 2003
 A Unit of Robbins & Myers, Inc.
 All rights reserved.
 Glaesteel® and Cryo-Lock® are registered trademarks of Pfaudler, Inc.